

FALCON PINS™

Installation Made Easy with Falcon Hex Pins™

The Falcon Hex Pins are an innovative fastener providing significantly greater pullout resistance than typical straight pins or staples. Available in configurations specialized for different soil types, the Falcon Hex Pins improve pullout performance in soft or sandy soils, as well as compact, cohesive soils.

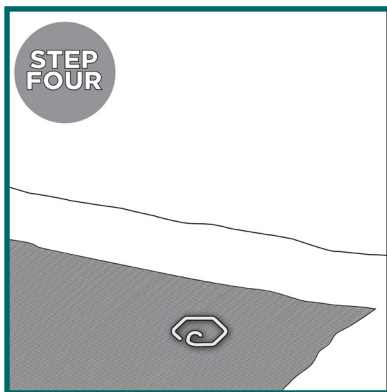
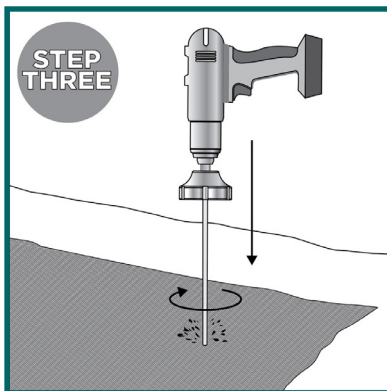
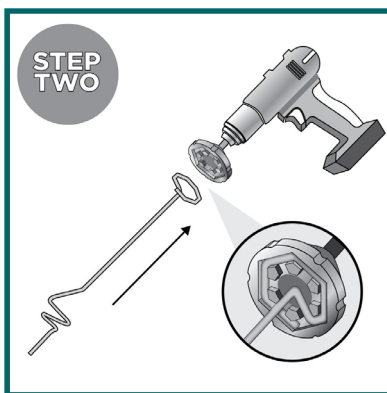
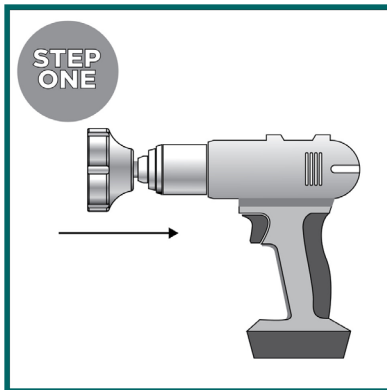
Falcon Hex pins install using a cordless hand drill with our custom installation chuck or a standard 1.5" hex socket.

Step 1: Insert the custom chuck or a standard 1.5 inch hex socket into a hand drill.

Step 2: Place the Falcon Hex Pin into the hex socket. Ensure no debris is on the twist pin before installing.

Step 3: Place the end of the Falcon Hex Pin through the erosion control matting before engaging the drill. Install the pin with slight pressure until the pin is fully installed.

Step 4: A properly installed Hex pin will impart a slight depression on the erosion control matting. If using lightweight netted matting, edge installation



Which Falcon Hex Pin do I need?

It is easy to remember which Falcon Hex Pin to select based on your project soils. Each coil configuration is available in 8" and 12" lengths.

HS - Hex Pin for Soft, Sandy, Silty soils

HC - Hex Pin for Cohesive, Compact, Clay soils

HR - Hex Pin for Hard, Rocky soils

