



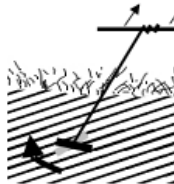
Material and Performance Specification EA400 and EA680 Earth Anchors

Description
 <p>The North American Green Earth Anchors EA400 and EA680 shall be cast anchors with chiseled tips. The anchor shall be aluminum with stainless steel or galvanized tendons, and shall have a typical holding capacity of 300 lbs and 1100 lbs, for the EA400 and EA680 respectively. The anchors shall conform to the properties listed herein.</p>

Index Property	EA400	EA680
Anchor Length	2.875 in	4.75 in
Anchor Width	0.625 in	1.00 in
Typical Cable Length	36 in	36 in
Cable Diameter	3/32 in	3/32 in
Typical Holding Capacity	300 lbs	1100 lbs

Anchor Capacities
<p>The pullout capacities were determined using average soil conditions (class 5), which is intended to be a guideline for anchor selection. To ensure proper selection, it is recommended to determine the loading criteria then allow for a safety factor while accommodating changing moisture conditions. Once an anchor has been selected, a pullout test is recommended to assure proper selection for the site specific conditions. Anchor pullout capacity is dependent on various items such as soil type, moisture, and density. Maximum pullout capacity is obtained when installed perpendicular with the direction of the securing cable. It is the responsibility of the engineer of record to ensure proper anchor design and selection.</p>

Typical Anchor Assemblies	
Product	Description
EA400 CS 36 SS L	EA400 w/ Loop assembly: SS cable 3/32" x 36" w/ PVC washer, SS washer & Copper Stop Sleeve
EA400 G 36 SS L	EA400 w/ Loop assembly: SS cable 3/32" x 36" w/ PVC washer, SS washer & grip end piece
EA400 WG 36 SS L	EA400 w/ Loop assembly: SS cable 3/32" x 36" w/ PVC washer, & wedge grip end piece
EA400 AS 36 GAC L	EA400 w/ Loop assembly: GAC 3/32" x 36" w/ PVC washer, SS washer & aluminum Stop Sleeve
EA400 G 36 GAC L	EA400 w/ Loop Assembly: GAC 3/32" x 36" w/ PVC washer, SS washer & grip end piece
EA400 WG 36 GAC L	EA400 w/ Loop Assembly: GAC 3/32" x 36" w/ PVC washer & wedge grip end piece
EA680 CS 36 SS L	EA680 w/ Loop assembly: SS cable 3/32" x 36" w/ PVC washer, SS washer & Copper Stop Sleeve
EA680 G 36 SS L	EA680 w/ Loop assembly: SS cable 3/32" x 36" w/ PVC washer, SS washer & grip end piece
EA680 WG 36 SS L	EA680 w/ Loop assembly: SS cable 3/32" x 36" w/ PVC washer, & wedge grip end piece
EA680 AS 36 GAC L	EA680 w/ Loop assembly: GAC 3/32" x 36" w/ PVC washer, SS washer & aluminum Stop Sleeve
EA680 G 36 GAC L	EA680 w/ Loop Assembly: GAC 3/32" x 36" w/ PVC washer, SS washer & grip end piece
EA680 WG 36 GAC L	EA680 w/ Loop Assembly: GAC 3/32" x 36" w/ PVC washer & wedge grip end piece
<p>Stop Sleeves: available in aluminum or copper, are manually secured with a crimping tool for an economical installation. Grip End Piece: is a three-dimensional self-securing end piece. Does not require manual crimping for tendon tensioning resulting in a fast and economical installation. Wedge Grip: is a self-securing end piece that installs flush to the baseplate. Does not require manual crimping for tendon tensioning resulting in a fast installation.</p>	

Installation Instructions	
	<p>Insert the drive rod into the assembly's anchor head then utilize either a sledge hammer or vibratory hammer to drive the anchor to the proper depth. After the proper anchor depth is achieved, retract the drive rod.</p>
	<p>Next, lock the anchor assembly by pulling the cable upwards until the anchor head rotates as signaled by sudden resistance to pulling. Secure the faceplate by method of choice, crimp the copper ferrule or install fastening device. If desired, cut the remaining cable assembly to desired length.</p>
<p>Setting Large Anchors – larger anchors will require more force to set the anchor. This can be achieved through using simple mechanical equipment for greater leverage, such as a fulcrum, manual or hydraulic jack, winch or post puller</p>	

Installation Equipment and Tools Needed	
Pneumatic or Manual Drive Rod (400 or 680 size) Setting Tool - Hook Crimper Drive Hammer Cutting Tool	North American Green North American Green Retail Store Retail Store Retail Store

Proud Participant of:

